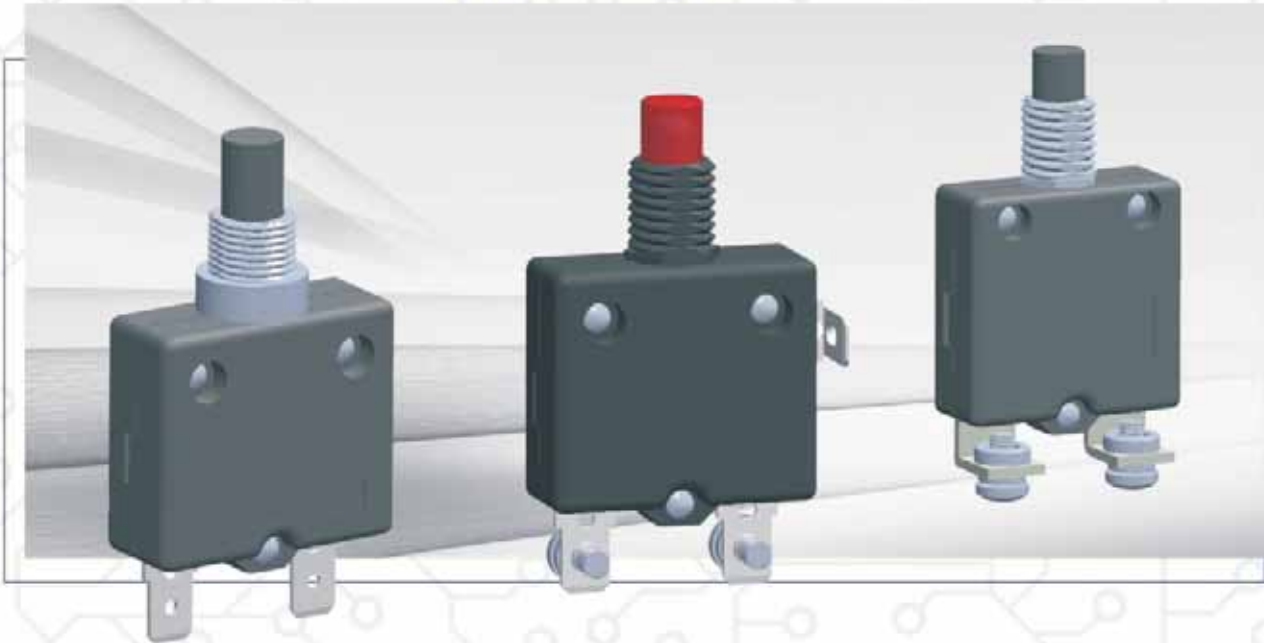


BC Series Circuit Breakers for Equipment 设备用断路器



Descriptions 描述

- BC series is a compact, single pole, push to reset over current supplementary protectors.
BC系列是一种轻巧，单极，按压后复位的过电流辅助保护器。
- BC series simple, exact design. Can be provided a safe and low expense the circuit protection.
BC系列设计简单，精准，能够提供安全可靠低费用的电路保护。
- Optional protective boot.
可选用防水套。
- BC series offers a wide range of amperage ratings from 0.5A to 70A.
BC系列提供全范围的安培数，电路规格从0.5A到70A。
- Unique circuit breaker illuminated design, LED lamp of push-button lighted indication circuit breaker overload.
独特的断路器带灯设计，推杆的LED灯亮起表示保护器为过载断开状态。

Typical Applications 主要应用

- Motors, Power Supplies, Generators, Transformers, Instrumentation, Power Strips, Power Tools, UPS, Health Equipments, Food Processor.
马达, 电源供应器, 发电机, 变压器, 测试仪器, 延长线, 电动工具, 不断电供应器, 运动器材, 食物调理机。

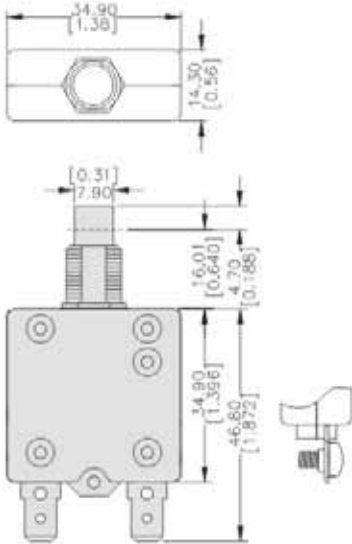
International Patents 国际专利

- 台湾专利 TAIWAN
- 中国专利 CHINA

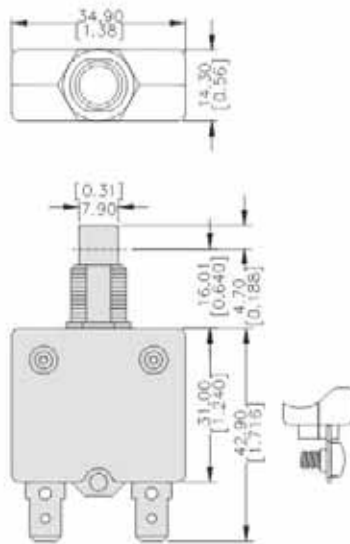
- 美国专利 USA

Outline Dimensions 外观尺寸图

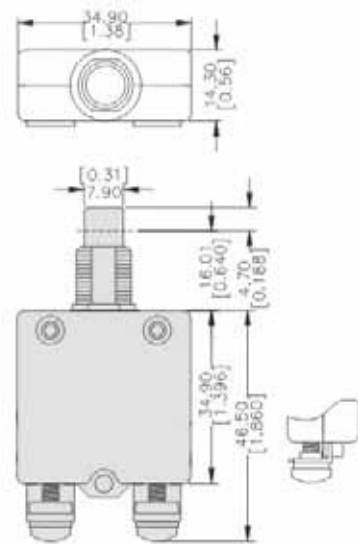
1. Low-Amperage Models 低安培数机种
(0.5A to 4.5A) BC01 BC21 Series



2. Middle-Amperage Models 中安培数机种
(5A to 40A) BC00 BC20 Series

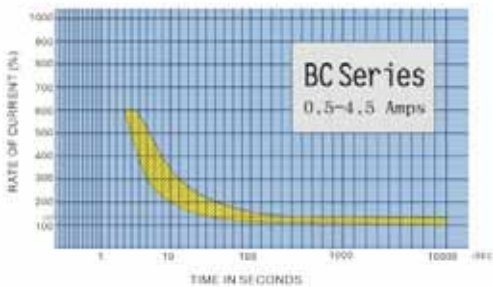


3. High-Amperage Models 高安培数机种
(40A to 70A) BC08 BC28 Series

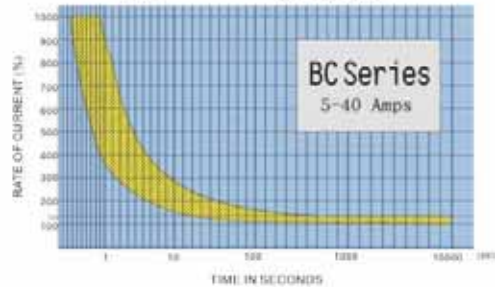


Time VS. Current Trip Curve @ +25°C 跳脱时间及电流跳脱曲线图 @ +25°C

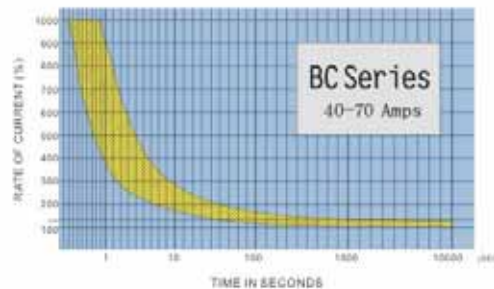
CURRENT LEVEL(% OF RATED) 电流过载额定百分比	TRIP TIME 跳脱时间
100%	NO TRIP 不能跳脱
135%	TRIP IN 1 HOUR 1小时内跳脱
200%	10 - 60 SEC.
300%	7.0 - 20 SEC.
400%	5.8 - 9.0 SEC.
600%	4.8 - 7.5 SEC.
800%	4.0 - 5.5 SEC.



CURRENT LEVEL(% OF RATED) 电流过载额定百分比	TRIP TIME 跳脱时间
100%	NO TRIP 不能跳脱
135%	TRIP IN 1 HOUR 1小时内跳脱
200%	6.0 - 55 SEC.
300%	2.8 - 9.5 SEC.
400%	0.9 - 6.5 SEC.
500%	0.75 - 4.8 SEC.
600%	0.6 - 2.0 SEC.
800%	0.4 - 2.0 SEC.
1000%	0.25 - 0.9 SEC.



CURRENT LEVEL(% OF RATED) 电流过载额定百分比	TRIP TIME 跳脱时间
100%	NO TRIP 不能跳脱
135%	TRIP IN 1 HOUR 1小时内跳脱
200%	7.5 - 60 SEC.
300%	2.5 - 9.5 SEC.
400%	0.95 - 6.5 SEC.
600%	0.75 - 4.8 SEC.
800%	0.6 - 3.5 SEC.
850%	0.4 - 2.0 SEC.
1100%	0.2 - 0.85 SEC.



Safety Approvals 安规认证

Approval standard 安规标准	File No. 档案号码	Marks 安规标志	Rated current range 额定电流范围	Rated Voltage 额定电压
UL, CUL standard 1077	E152074		0.5A-50A 0.5A-50A 51A-70A	125/250 VAC 50 VDC 125VAC
DIN EN 60934 (VDE 0642):2007-11 EN 60934:2001+A1:2007	40031584		0.5A-25A	250 VAC 50 VDC
CCC mark compliant GB 17701-2008	2010010307429607		0.5A-50A	250 VAC
CSA & CUS C22.2 No. 235-04 UL 1077(Sixth Edition)	211584		5A-30A	125/250 VAC
CE EN60934	40031584		0.5A-25A	250 VAC 50 VDC

Technical Datas 技术资料

Electrical Characteristics 电气特性	额定电流电压	Current and Voltage Ratings	0.5A - 50A at 125/250VAC; 50VDC 51A - 70A at 125VAC
	跳脱	Calibration	100% No Trip, 135% trip in one hour at +25°C
	接触阻抗	Contact Resistance	≤ 100 mΩ
	绝缘阻抗	Insulation Resistance	≥ 100 MΩ 500VDC
	绝缘耐电压	Dielectric Withstanding Voltage	1500VAC at 50/60 Hz for 60 seconds
	电气寿命	Electrical Life	6000 cycles full rated current
	最大使用电压	Max. operating voltages	125 or 250VAC, 50/60 Hz. (model dependent)
Mechanical/reliability Characteristics 机械/可靠性特性	使用温度范围	Operating temperature range	-10°C to +60°C
	使用湿度	Ambient humidity used	≤85% RH
	可焊性	Solder ability	260°C±5°C 3±1S
	耐焊接热	Withstand soldering temperature	260°C±5°C 3±1S
Specifications 规格	短路容量	Interrupt capacity	1000A at 125/250VAC
	重新启动时间	Reset Time	10 seconds

Ambient Temperature Correction Factor 环境温度补偿系数表

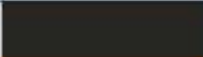


Current Rating	-10°C	-5°C	0°C	20°C	25°C	40°C	50°C	60°C
0.5-4.0A	1.33	1.25	1.18	1.05	1.0	0.86	0.7	0.62
5-7.5A	1.43	1.39	1.33	1.11	1.0	0.78	0.54	0.47
8-35A	1.33	1.25	1.18	1.05	1.0	0.86	0.76	0.65
40-70A	1.33	1.25	1.18	1.05	1.0	0.9	0.83	0.75




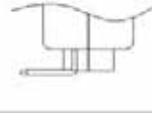
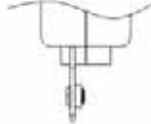

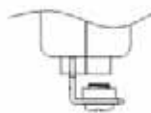

Part Numbering System 编码系统

P/N Sample: BC 00 B O A 150 B G N 0 N — P/N:

Code 代码	Product Style 产品种类
BC	BC Circuit Breaker BC 断路器

Category 类别	Code 代码	Optional LED Lamp 选用LED灯	Code 代码	Optional LED Lamp 选用LED灯
Low-Amperage Models 低安培数机种0.5Ato4.5A	01	Without Lamp 不带灯	21	With Lamp 带灯
Middle-Amperage Models 中安培数机种5Ato40A	00	Without Lamp 不带灯	20	With Lamp 带灯
High-Amperage Models 高安培数机种40Ato70A	08	Without Lamp 不带灯	28	With Lamp 带灯

Code 代码	LED lamp and push button color LED灯及推杆颜色	LED lamp and push button color LED灯及推杆颜色	Code 代码	LED lamp and push button color LED灯及推杆颜色	LED lamp and push button color LED灯及推杆颜色
B	Non-illuminated Black 黑色(不带灯专用)		G	Illuminated Green 绿色透光	
O	Illuminated Orange 橘色透光		R	Illuminated Red 红色透光	
W	Non-illuminated White 白色不透光(不带灯专用)		X	Non-illuminated Red 红色不透光(不带灯专用)	





Code 代码	Dimension Drawing 尺寸图	Terminal Type 端子脚种类	Code 代码	Dimension Drawing 尺寸图	Terminal Type 端子脚种类
C		45° Bent up 铜上折45度	D		45° Bent down 铜下折45度
Z		90° Bent up 铜上折90度	G		90° Bent down 铜下折90度
I		#6-32 Screw 铜直脚	K		#8-32 Screw 铜直脚
M		#10-32 Screw bent 90° 铜弯脚	O		Quick-connect .250\" data-bbox="665 855 785 885"/>




Code 代码	Lamp Voltage & Thickness of Ag 电压及银层厚度	Code 代码	Lamp Voltage & Thickness of Ag 电压及银层厚度	Code 代码	Lamp Voltage & Thickness of Ag 电压及银层厚度
A	Under AC 250V & DC 50V general (without lamp) AC 250V以下&DC 50V以下 一般银层不带灯用	B	Under AC 250V & DC 50V thick silver (without lamp) AC 250V以下&DC 50V以下 厚银层 不带灯用	C	Under AC 250V general (with lamp) AC 250V以下 一般银层 带灯用
D	Under AC 250V thick silver (with lamp) AC 250V以下 厚银层 带灯用	E	Under AC 250V & DC 50V copper alloy plated with silver (without lamp) AC 250V以下&DC 50V以下 铜镀银 不带灯用	F	Under AC 250V & DC 50V copper alloy plated with silver (with lamp) AC 250V以下&DC 50V以下 铜镀银 带灯用
G	Under AC 250V & DC 50V solid silver (without lamp) AC 250V以下&DC 50V以下 全银 不带灯用	H	Under AC 250V & DC 50V solid silver (with lamp) AC 250V以下&DC 50V以下 全银 带灯用	I	Under DC 50V general (with lamp) DC 50V以下 一般银层 带灯用






Code 代码	Low Amp(0.5-4.5) 低安培数 Current Rating(Amperage) 额定电流	Code 代码	Mid-Amp(5-40) 中安培数 Current Rating(Amperage) 额定电流	Code 代码	High Amp(40-70) 高安培数 Current Rating(Amperage) 额定电流
050	0.50A	050	5.0A	040	40.0A
075	0.75A	060	6.0A	045	45.0A
100	1.00A	070	7.0A	050	50.0A
200	2.00A	075	7.5A	055	55.0A
250	2.50A	080	8.0A	060	60.0A
300	3.00A	090	9.0A	070	70.0A
350	3.50A	100	10.0A		
400	4.00A	120	12.0A		
450	4.50A	140	14.0A		
		150	15.0A		
		180	18.0A		
		200	20.0A		
		250	25.0A		
		300	30.0A		
		350	35.0A		
		400	40.0A		

Code 代码	Housing Color 塑体壳颜色	Housing Color Category 塑体壳颜色细分	Code 代码	Housing Color 塑体壳颜色	Housing Color Category 塑体壳颜色细分
B	Black 黑色	Black 黑色	W	White 白色	White 白色

Code 代码	Mounting Bushing Type 固定螺栓种类	Description 描述	Suggested Panel Hole 建议面板开孔尺寸
G		Material: Alloy M11×1.0 Thread L:12.65mm	
H		Material: Alloy M11×1.0 Thread L:13.55mm	
I		Material: Alloy M11×1.0 Thread L:9.6mm	
L		Material: PBT Snap in without thread L:13.4mm	
O		Material: PBT M11×1.0 Thread L:12.75mm	

Code 代码	Mounting Hardware 固定螺栓套件	Description 描述	Code 代码	Mounting Hardware 固定螺栓套件	Description 描述
D		M11×1.0 Hex nut M11六角螺母	F		M11 Knurled nut, plastic M11圆型塑料螺母(无字样)
G		M11 Knurled nut with "RESET", plastic M11圆型塑料螺母 (有RESET字样)	T		M11 Protective boot, long M11圆顶防水套
S		M11 Protective boot, short M11平顶防水帽	N	None	Without Nut 无螺母

Code 代码	Nameplate Type 铭版种类	Nameplate Type 铭版种类	Code 代码	Nameplate Type 铭版种类	Nameplate Type 铭版种类
0	None	Without Nameplate 无铭版	1		With Nameplate 带铭版

Code 代码	Optional push-button marking of rating 推杆安培数印刷种类	Code 代码	Optional push-button marking of rating 推杆安培数印刷种类
N		U	
D		L	
R			

Code 代码	Special Code Style 特殊编码种类
-	Normal Trip Curve 一般脱扣曲线

雅博吉科技股份有限公司

台北公司：
台湾新北市板桥区县民大道3段209号3F
电话：886-2-22564942 传真：886-2-22530238
邮箱：rebecca.chen@approach.cc

中国工厂：
深圳市龙岗区坂田物资工业园东坡街七号
电话：86-755-89505393 传真：86-755-89504403
邮箱：betsy.lee@approach.cc

APPROACH TECHNOLOGY INC.

TAIPEI OFFICE:
3F, NO. 209, SEC. 3, COUNTY BOULEVARD, PAN CHIAO DISTRICT,
NEW TAIPEI CITY 22043, TAIWAN R.O.C.
TEL: 886-2-22564942
FAX: 886-2-22530238
E-mail: rebecca.chen@approach.cc

CHINA FACTORY:
NO. 7, DONGPO STREET, PAN TEN WU ZI INDUSTRIAL PARK,
LUNG GUN ZONE, SHENZHEN, GUANGDONG, P.R.C.
TEL: 86-755-89505393
FAX: 86-755-89504403
E-mail: betsy.lee@approach.cc