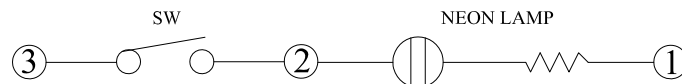
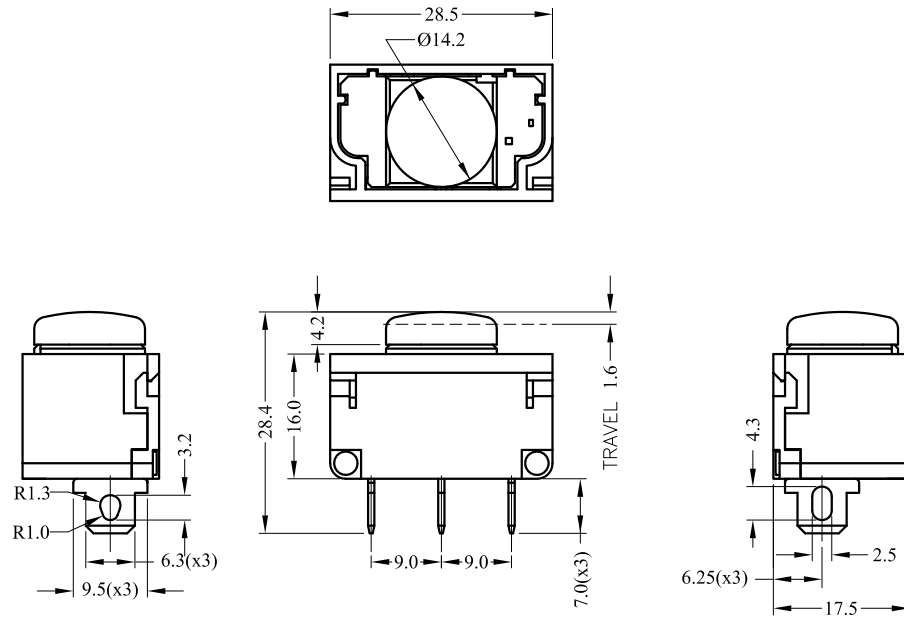


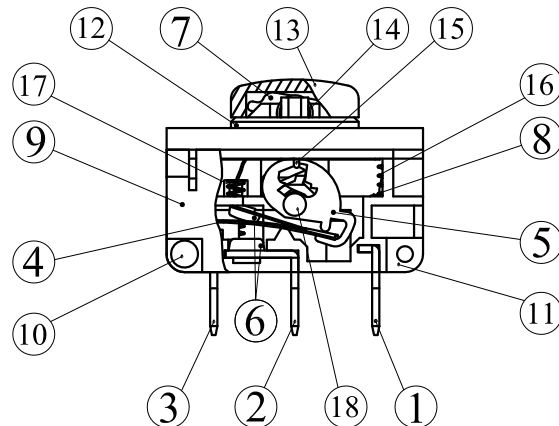
1. Model : SS-006
型号：SS-006
2. UL file No. : E152074
UL档案号：E152074
3. Ampere Rating: 4~16A
额定电流：4~16A
4. Rated Voltage: 125V/250VAC 32VDC
额定电压：125V/250VAC 32VDC
5. Short-Circuit Ability: 1.0KA
短路能力：1.0KA
6. Dielectric Strength: 1000VAC plus twice the maximum rated voltage for 1 minute
介电强度：1000VAC 加上两倍额定电压1分钟
7. Overload Ability: six Times rated current
过载能力：6倍额定电流
8. Temperature Rise at Terminal Block: Less than 65K at 100% of rated current applied continuously
接线端子温升：小于65K，额定电流的100%连续施加
9. Parts and materials as per list
零件和材料如列表所示
10. Structure and dimension as per drawing
结构和尺寸如图所示
11. Unless otherwise specified dimensions are in millimeters. tolerance : $\pm 0.3\text{mm}$
除非另有规定，否则尺寸单位为毫米。公差： $\pm 0.3\text{mm}$

NO.	PARTS NAME	QTY PCS/SET	MATERIAL
1	terminal #1 端子#1	1	copper alloy 铜合金
2	terminal #2 端子#2	1	copper alloy 铜合金
3	terminal #3 端子#3	1	copper alloy 铜合金
4	bimetal 合金片	1	bi-metal 合金片
5	connection rod 控制片	1	stainless 钢材
6	electrical contact 触点	2	AgSnO ₂ 银锡合金
7	neon lamp 氖灯	1	
8	resistor 电阻	1	
9	cover 边壳	1	nylon+G.F. 尼龙
10	rivet 螺丝	2	iron 铁材
11	body 本体壳	1	nylon+G.F. 尼龙
12	bottom knob 压钮	1	PC 聚碳酸酯
13	knob 开关盖	1	PC 聚碳酸酯
14	spring 弹簧	1	stainless 钢材
15	control shaft 循迹杆	1	stainless 钢材
16	spring 弹簧	2	stainless 钢材
17	spring 弹簧	1	stainless 钢材
18	screw 螺丝	1	iron 铁材

 ©ZONGPRO (DONGGUAN) ELECTRICAL INC. 中坡(東莞)電器股份有限公司			
MATERIAL AS TABLE	UNIT mm	SCALE NONE	TITLE
FINISH AS TABLE		SHEET 1/1	CIRCUIT BREAKER WITH POWER SWITCH
APPROVE.	DESIGN YXD	DATE 2022.09.02	ART.NO SS-006PFLS01C
			REV A.2



CIRCUIT DIAGRAM



ASSEMBLE DRAWING